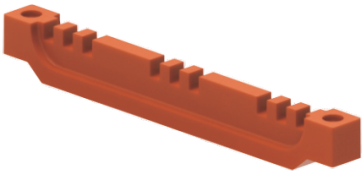
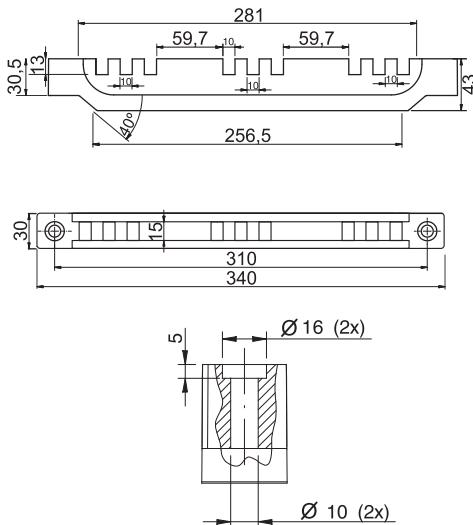


**Suporte de Barramento BT, em poliéster, uso Interior**  
 LV polyester busbar support insulator, indoor use  
*Aislador soporte de barramiento BT, en poliéster, uso Interior*



Modelo / Model / Modelo	PBP 938
<p style="text-align: center;">AFFORDABLE SOLUTIONS FOR L.V. APPLICATIONS</p> <p style="text-align: center;"><b>B.M.C./S.M.C.</b></p>	
Barramento / Busbar / Barramiento	09 Barras / Bars / Barras
Umáx. / Um / Umax. (kV)	0,75
Tensão Sup. / Rated Pow. Freq. / Ens. Dielec. (kV)	10
Massa / Mass / Masa (kg)	0,540
Temp. Trab. / Work Temp. / Temp. Trab. (°C)	-20 até / up to / hasta +75°C
Cor / Color / Cor	Laranja/Orange/Naranja RAL 2004
Dimensões / Dimensions / Dimensiones (mm)	 <p>The technical drawing includes the following dimensions:</p> <ul style="list-style-type: none"> <li>Top view: Total length 281 mm, distance between mounting holes 256.5 mm, mounting hole diameter 13 mm, distance from end to first hole 30.5 mm, distance between busbar slots 59.7 mm, and a 40° chamfered end.</li> <li>Side view: Total length 340 mm, distance between mounting holes 310 mm, mounting hole diameter 16 mm, and a 15 mm wide section between holes.</li> <li>Cross-section: Mounting hole diameter <math>\varnothing 16</math> (2x) and a central hole diameter <math>\varnothing 10</math> (2x).</li> </ul>