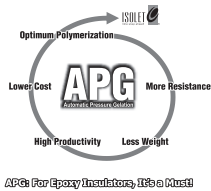

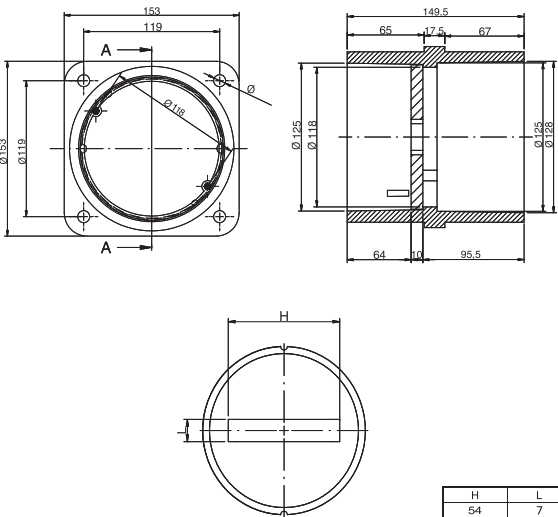


Bucha de Passagem MT em epóxi, Uso Interior
MV epoxy bushing, Indoor use
Passamuro MT en epoxi, Uso Interior



Modelo / Model / Modelo	BI 003 JO4-75														
															
Umáx. / Um / Umax. (kV)	12,0														
Tensão Sup. / Rated Pow. Freq. / Ens. Dielec. (kV)	38														
NBI / BIL / BIL (kV)	75														
Dist. Escoa. / Creep. Distan. / Dist. Escoa. (mm)	120														
Massa / Mass / Masa (kg)	1,271														
Temp. Trab. / Work Temp. / Temp. Trab. (°C)	-20 até / up to / hasta +75°C														
Cor / Color / Cor	Marrom/Brown/Marrón RAL 8016														
Flexão / Bending / Flexion (N)	> 4000														
Barramento / Busbar / Barramiento	01 Barra / Canto Vivo 01 Bar / Squared Edge 01 Barra / Rincon Recto														
Dimensões / Dimensions / Dimensiones (mm)	 <table border="1" data-bbox="993 1364 1123 1468"> <thead> <tr> <th>H</th> <th>L</th> </tr> </thead> <tbody> <tr> <td>54</td> <td>7</td> </tr> <tr> <td>54</td> <td>11</td> </tr> <tr> <td>66</td> <td>11</td> </tr> <tr> <td>79</td> <td>12,7</td> </tr> <tr> <td>83</td> <td>16</td> </tr> <tr> <td>83</td> <td>35</td> </tr> </tbody> </table>	H	L	54	7	54	11	66	11	79	12,7	83	16	83	35
H	L														
54	7														
54	11														
66	11														
79	12,7														
83	16														
83	35														