

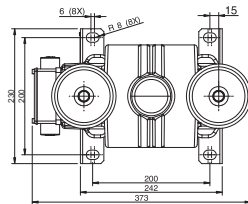
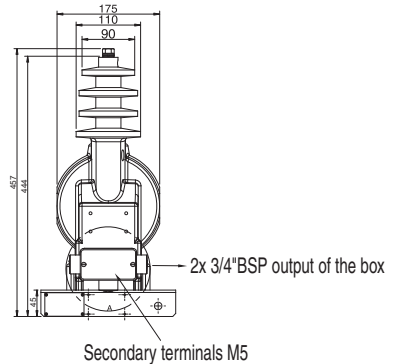
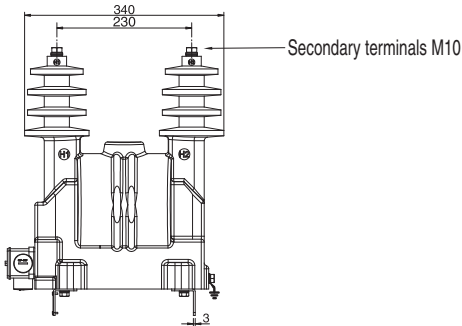
Model
Voltage Transformers
Phase - Phase

BDEC - FF9A



		IEEE / ANSI	IEC
Maximum Voltage	(kV)	Up to 15.5	Up to 17,5
Rated Power Frequency	(kV)	Up to 34	Up to 38
Basic Impulse Level	(kV)	Up to 110	Up to 95
Voltage Factor		1.1 Cont.	1,2 Cont.
Mass	(Kg.)	26	
Out Put	(VA)	Up to 1000VA in 60HZ	
Accuracy	(ANSI)	25VA 0,3 (50Hz) / 75VA 0,3 (60Hz)	
Accuracy	(ANSI)	0.3WX (50Hz) / 0.3WXY (60Hz)	
Accuracy	(IEC)	0,5%50VA (50Hz) / 0,2%50VA (60Hz)	
Frequency	(Hz)	60Hz (50Hz Upon Request)	
Number of Terminals		2	
Primary Voltage	(V)	2400 Up to 13800	
Secondary Voltage	(V)	110 Up to 220	

Dimensions (mm)



OTHERS OVER VOLTAGES VALUES UNDER CONSULT