
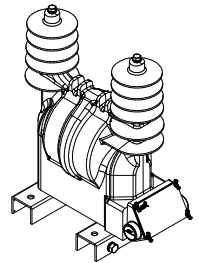
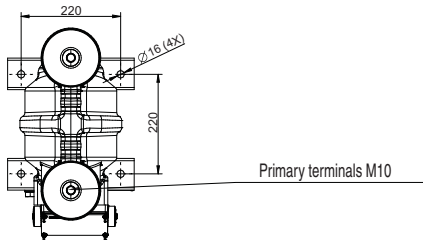
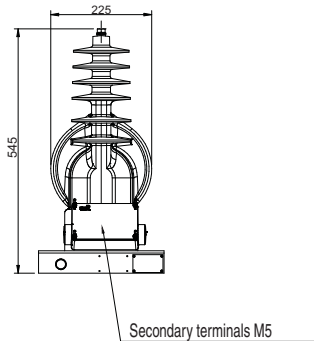
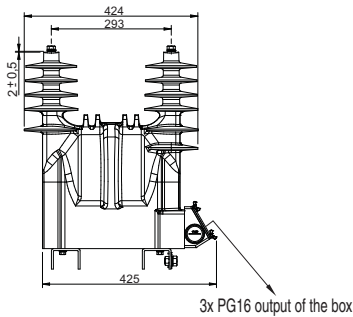


Model		BDEC - FF16A	
Voltage Transformers Phase - Phase			
		IEEE / ANSI	IEC
Maximum Voltage	(kV.)	Up to 25.5	Up to 24
Rated Power Frequency	(kV.)	5 x Nominal Voltage (Limited at Power Frequency With Stand Volgate)	5 x Nominal Voltage (Limited at Power Frequency With Stand Volgate)
Basic Impulse Level	(kV.)	Up to 150	Up to 150
Voltage Factor	(ver nota·)	1.1 Cont.	1,2 Cont.
Mass	(Kg.)	45	
Out Put	(VA)	1500 (15kV) / 1000 (24kV)	
Accuracy	(ABNT)	75VA 0,3 or 200VA 0,6	
Accuracy	(ANSI)	0.3WXY or 0.6% 200VA	
Accuracy	(IEC)	0,2% 75VA or 0,5% 200VA	
Frequency	(Hz)	60Hz (50Hz Upon Request)	
Number of Terminals		1 or 2	
Primary Voltage	(V)	1500V Up to 23000V	
Secondary Voltage	(V)	110 Up to 220	

Dimensions (mm)



OTHERS OVER VOLTAGES VALUES UNDER CONSULT