
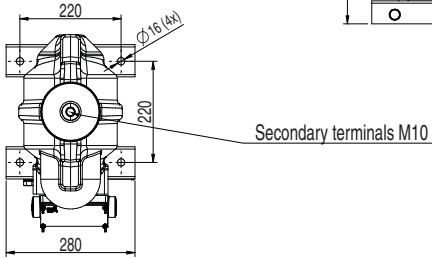
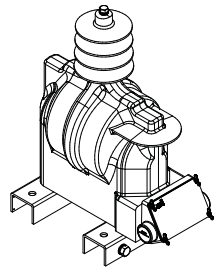
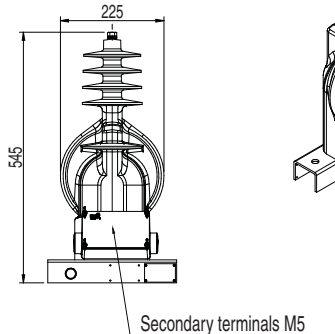
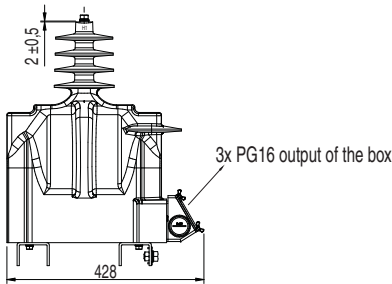


Model		BDEC - FT15A	
Voltage Transformers Phase - Phase			
		IEEE / ANSI	IEC
Maximum Voltage	(kV)	Up to 25.5	Up to 24
Rated Power Frequency	(kV)	5 x Nominal Voltage (Limited at Power Frequency WithStand Volgate)	5 x Nominal Voltage (Limited at Power Frequency WithStand Volgate)
Basic Impulse Level	(kV)	Up to 150	Up to 150
Voltage Factor	(ver nota-)	1.1 Cont. - 1.4 30s	1,2 Cont. - 1,5 30s
Mass	(Kg.)	40	
Out Put	(VA)	1500 (15kV) / 1000 (24kV)	
Accuracy	(ABNT)	75VA 0,3 or 200VA 0,6	
Accuracy	(ANSI)	0.3WXY or 0.6% 200VA	
Accuracy	(IEC)	0,2%75VA or 0,5% 200VA	
Frequency	(Hz)	60Hz (50Hz Upon Request)	
Number of Terminals		1 or 2	
Primary Voltage	(V)	$1500 \sqrt{3}$ Up to $23000 \sqrt{3}$	
Secondary Voltage	(V)	$110 \sqrt{3}$ Up to $220 \sqrt{3}$	

Dimensions (mm)



* overvoltage factor 1.9 upon request
 VT WITH EARTHED NEUTRAL TERMINAL
 OTHERS OVER VOLTAGES VALUES UNDER CONSULT