
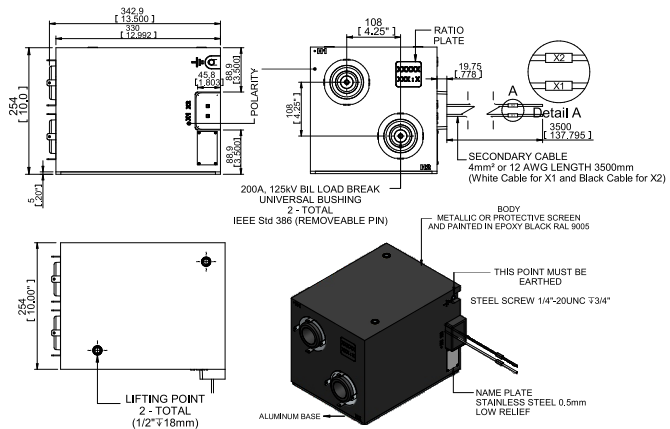


| | | |
|--|---|--|
| Model | BDE - FF15S | |
| Voltage Transformers L - G = Line Ground L - L = Line Line |  | |
| | IEEE / ANSI | |

| | | |
|-----------------------|-------------|--------------------------|
| Maximum Voltage | (kV.) | Up to 15.5 |
| Rated Power Frequency | (kV.) | 34 |
| Basic Impulse Level | (kV.) | Up to 95kV |
| Mass | (Kg. / lbs) | 53 / 116.5 |
| Frequency | (Hz) | 60Hz (50Hz Upon Request) |

| Rating | Ratio | Config | Rated Factor | Accuracy Class | Thermal Rating @30°C | Thermal Rating @55°C | Thermal Rating @65°C |
|---------------|---------|--------|--------------|----------------|----------------------|----------------------|----------------------|
| 2400 / 4160Y | 20:1 | L- G | 1.4 | 0.3Y | 750VA | 500VA | 320VA |
| 4200 / 7280Y | 35:1 | L- G | 1.4 | 0.3Y | 750VA | 500VA | 320VA |
| 4800 / 8320Y | 40:1 | L- G | 1.4 | 0.3Y | 750VA | 500VA | 320VA |
| 6928 / 12000Y | 57.73:1 | L- G | 1.4 | 0.3Y | 750VA | 500VA | 320VA |
| 7200 / 12470Y | 60:1 | L- G | 1.4 | 0.3Y | 750VA | 500VA | 320VA |
| 7620 / 13200Y | 63.5:1 | L- G | 1.4 | 0.3Y | 750VA | 500VA | 320VA |
| 7970 / 13800Y | 66.42:1 | L- G | 1.4 | 0.3Y | 750VA | 500VA | 320VA |
| 8400 / 14560Y | 70:1 | L- G | 1.4 | 0.3Y | 750VA | 500VA | 320VA |
| 12000 / 12000 | 100:1 | L- L | 1.1 | 0.3Y | 750VA | 500VA | 320VA |
| 13200 / 13200 | 110:1 | L- L | 1.1 | 0.3Y | 750VA | 500VA | 320VA |
| 13800 / 13800 | 115:1 | L- L | 1.1 | 0.3Y | 750VA | 500VA | 320VA |
| 14400 / 14400 | 120:1 | L- L | 1.1 | 0.3Y | 750VA | 500VA | 320VA |

Dimensions (mm) / [in]



Other rating or ratio upon request.